

Aurora 1000F is guaranteed to be free from defects in workmanship and parts and carries a two year warranty period from the date of purchase. Defects that occur within this warranty period, under normal use and care will be repaired or replaced at Aurora Lite Bank discretion, solely at our option with no charge for parts or labour. In the event of the equipment malfunction, contact the dealer from whom you purchased the product.

Please note, that you will be not be reimbursed for the cost of bringing the equipment to us or to our authorized dealers or to our service center.

Aurora Lite Bank reserves the right to replace the product or relevant part with the same or equivalent product or part, rather than repair it. Where a replacement is provided the products or part replaced becomes the property of Aurora Lite Bank.

This warranty does not cover any damage resulting from:

- Failure to follow the instructions in the instruction manual;
- Repair, modification or overhaul not conducted by any Aurora authorized or approved personnel.
- Fire, natural disaster, act of God, lightning, abnormal voltage, etc;
- Submergence in water (flooding), exposure to alcohol or other beverages, infiltration of sand or mud, physical shock, or dropping of the equipment and other unnatural causes.

This warranty only applies to the 1000S and not to the accessories, such as the barn doors, nor does it apply to fuses and other consumables provided.

Any consequential damages arising from failure of the equipment, such as expenses incurred in taking pictures or recording images or loss of expected profit, will not be reimbursed, whether they occur during the warranty period or not. Parts essential to the servicing of the light equipment (that is, components required to maintain the functions and quality of the fixture) will be available for a period of five years after the product is discontinued.

The total or partial reproduction of this manual is prohibited without the express written permission of Aurora Lite Bank. Information and specifications in this document are subject to change without notice. 2013 © Copyright Aurora Lite Bank. All rights reserved.

 **aurora Lite Bank™** www.auroralitebank.com e-mail : alb@alb.co.kr

8-2 Yeonamro-42 gil, buk-gu, Daegu 702-835, Korea Tel : (82-53) 384-9874 Fax : (82-53) 384-9886

# aurora 1000S

LED light for broadcast, photo, and video studios



## TABLE OF CONTENTS

1. Introduction
2. Safety precautions
3. Specifications
4. Components and Accessories
5. Control panel
6. Operating instructions
7. Warranty

## Marking



## 1. Introduction

This guide provides information on how to use the product functions to get the full effect and benefits of the Aurora 1000S light, as well as warnings on its use. The Aurora 1000S is designed for professional use, for interior locations or studio and must only be operated by qualified technical personnel. To obtain the maximum features, please read the following operating instructions very carefully before using the product for the first time. Please keep these operating instructions for you and subsequent users to reference in the future.

### • Safety Precautions

For your own safety, please read and follow all safety instructions and warnings.

### • Exemption from Liability

The manufacturer, disclaims liability for any damage to persons or property caused by inappropriate operation, damage of this kind lies in the responsibility of the operator.

### • Warranty

This product is manufactured to local specifications and the warranty is valid within the country of purchase. Should the product fail or malfunction, while you are abroad, the manufacturer assumes no responsibility for servicing the product locally or bearing the expenditure incurred thereof.

## 2. SAFETY PRECAUTIONS

This equipment has been checked and meets the requirements of general safety for electronic devices. These requirements are specified, to provide a reasonable protection against electromagnetic interference, when the equipment is used in commercial environments.

This equipment generates, uses, and can emit waves of radio frequency, and if not properly used following the instructions in this manual, can produce interference in radio communications.

The use of this equipment in residential areas can produce interference; the user will be the only one responsible in correcting them.

1. Please read the following operating instructions very carefully, before using this fixture for the first time.
2. In order to protect against risk of electric shock, the installation should be properly grounded. Non-compliance or using a non-grounded type plug will expose you to the risk of electric shock.
3. The lamp head emits heat through its vent holes in the housing and the housing surface can reach a temperature around 60 °C.
4. Do not attempt to open any of the device or component housings. To reduce the risk of electric shock, do not remove lamp head cover. No user-serviceable parts are inside. Maintenance and repair work to be carried out only by authorized Service Centre.
5. Do not store or use under humid or moist conditions for an extended amount of time.
6. Do not cover the vent holes while using it. Proper ventilation must be provided. Avoid exposing the lamp head to the heat radiation of other light fixtures.
7. Keep this equipment out of reach of children

## 3. Specifications

### ■ Features

#### • HIGH LIGHT OUTPUT

Utilizing high efficient LED chips, Aurora 1000S features 4,475 lux at a 1m distance with a beam angle of 60.1°. Brightness achieved reaches 1kW of conventional light, whilst consuming 85% less electricity.

#### • HIGH COLOR RENDERING

Featuring color rendering at 95Ra, 1000S renders real colors and delivers soft light which describes vivid skin tone in well balanced 5600K of day light.

#### • CUTTING AND SHAPING

A standard reflector with white lining comes completed with and 4-way barn door is offered optionally. Cut and shape the Light as you wish. Front screen diffuses harsh light and throws soft and yet bright light.

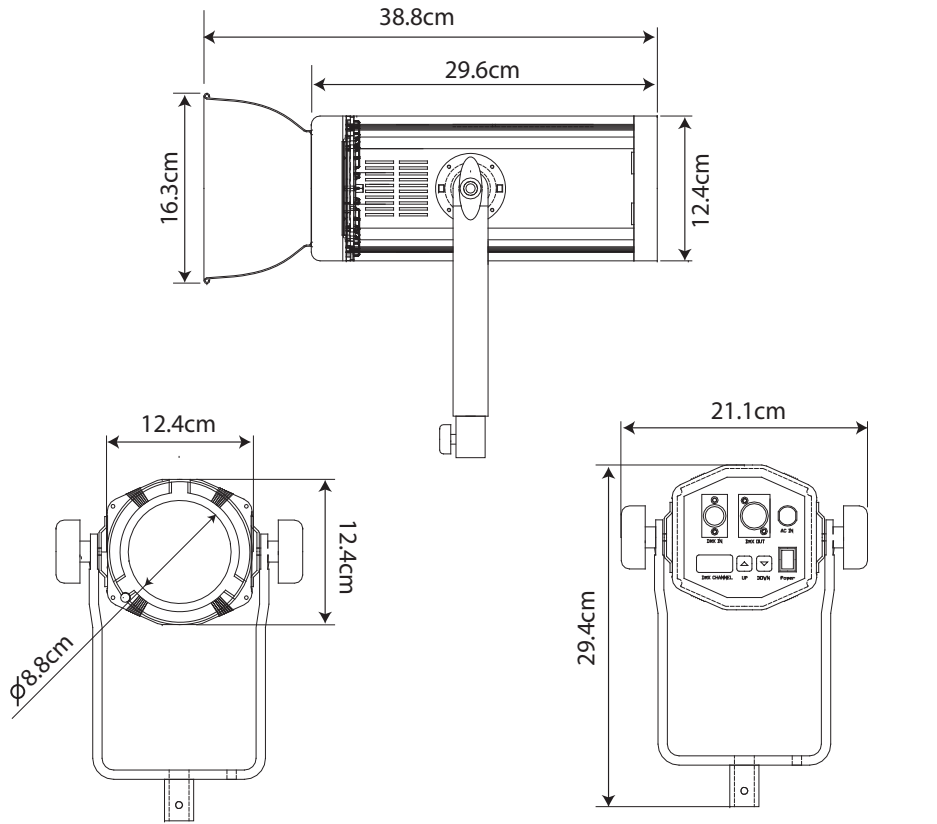
#### • BROAD DIMMING RANGE

1000S dims from 0% to 100%. Soft touch buttons on board enable full power control, as well as DMX channel setting when connected to a DMX control unit. Integrated 5-pin DMX in and out ports are for full DMX control.

### ■ Specifications

<b>Power consumption</b>	100W
<b>Color temperature</b>	Day Light version: 5600 ± 200°K
<b>Dimming</b>	Broadcast version 0% - 100%, on board control or 5-pin DMX Photo version 0% - 100%, on board control only
<b>Power supply</b>	90V – 240V AC
<b>Dimensions</b>	29.6 (L) x 12.4 (H) X 12.4 (W) (cm)
<b>Weight</b>	2.5kg
<b>Operating temperature</b>	-20°C - 40°C

## ■ Dimensions

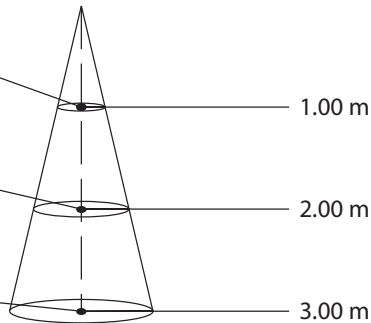


## ■ Photometric Data

Beam Width : 2.85 m  
4475lux  
Footcandle : 415.74

Beam Width : 5.69 m  
1159 lux  
Footcandle : 107.67

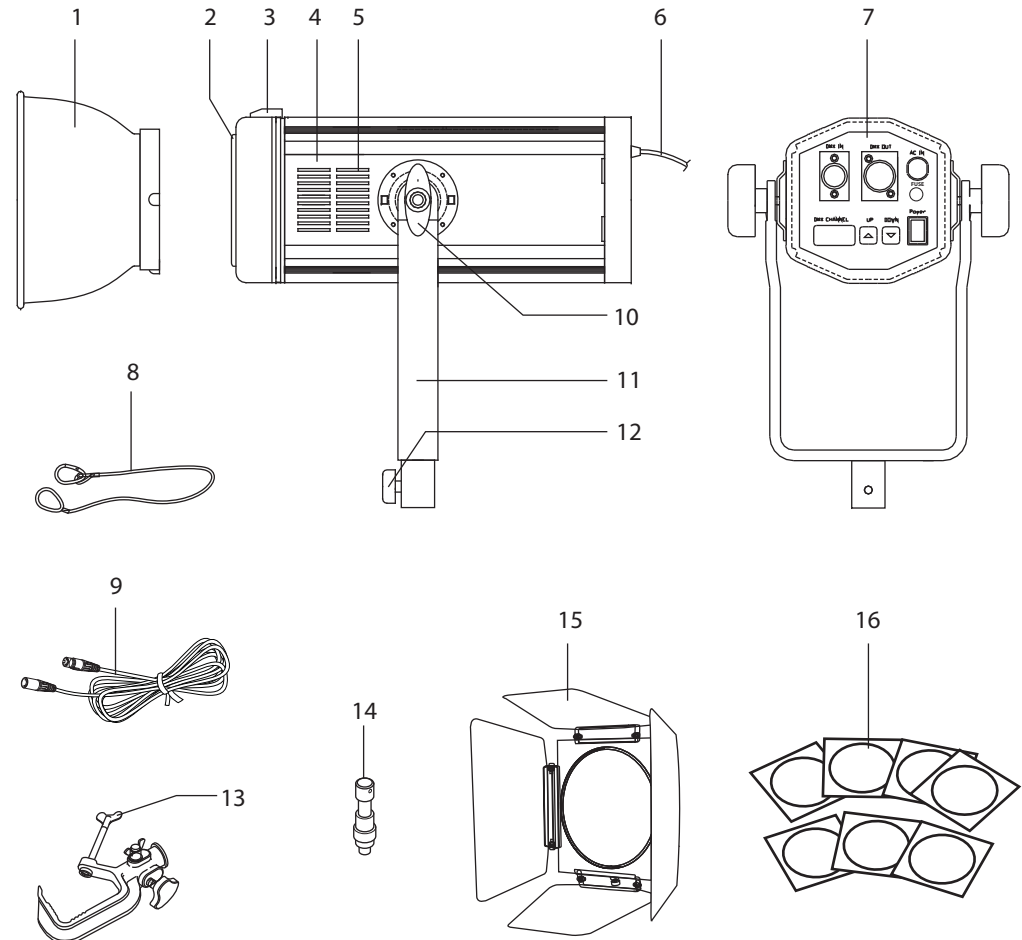
Beam Width : 8.54 m  
518 lux  
Footcandle : 48.12



Average Beam Angle = 60.1°

## 4. Components and accessories

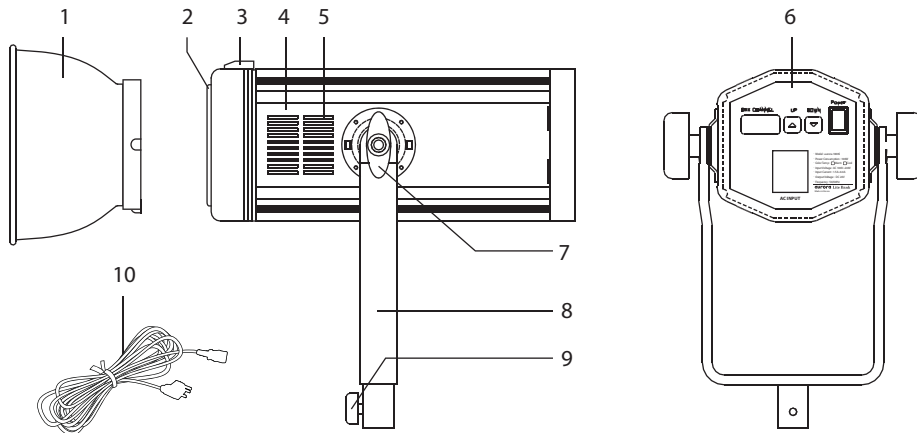
### ■ Broadcast version



1. Standard reflector
2. Front screen
3. Lock for standard reflector
4. Housing
5. Vent holes
6. 1.5m power cable fixed
7. Control panel with 5-pin DMX in-out ports
8. Security cable

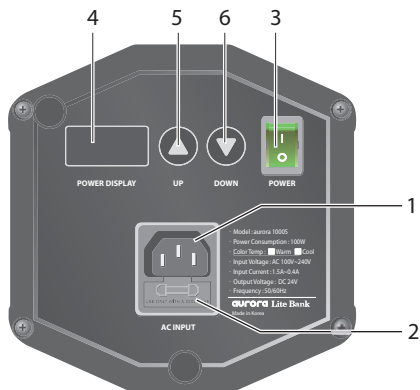
9. 2m DMX cable
10. Tightening screw for tilting
11. Tilting bracket
12. Tightening screw for stand fixing
13. Clamp (optional accessory)
14. 3/8" or 6/8" stud offered at user's choice
15. 4-leaf barn door (optional accessory)
16. 7 color gel filter set (optional accessory)

## ■ Photo version



1. Standard reflector
2. Front screen
3. Lock for standard reflector
4. Housing
5. Vent holes
6. Control panel without DMX ports
7. Adjustment handle for tilting
8. Tilting bracket
9. Tightening screw for stand fixing
10. 5m power cable removable
11. 4-leaf barn door (optional accessory)
12. 7 color gel filter set (optional accessory)

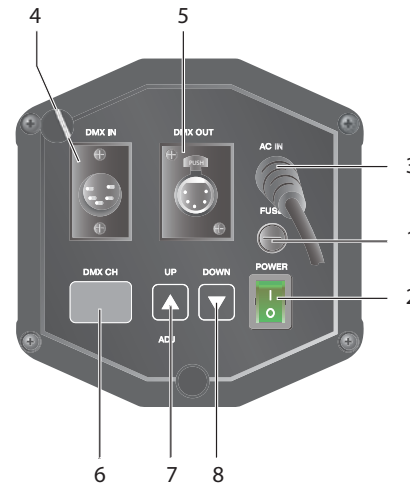
## 5. CONTROL PANEL



## ■ Photo version

1. Power inlet for input 90V – 240V AC
2. Fuser holder including 3A Fuse inside
3. Power switch: on/off
4. Digital display: light output (%) will be displayed
5. UP button: Every push on the up button will increase light intensity
6. DOWN button: Every push on the down button will decrease light intensity

## ■ Broadcast version



1. 3A Fuse
2. Power switch: on/off
3. Power cord (not removable): for power input 90V – 240V AC
4. 5-pin DMX in port
5. 5-pin DMX out port
6. Digital display: DMX channel will be displayed when DMX console connected / in use and light output (%) will be displayed when DMX not connected.
7. UP button: Every push on the up button will increase light intensity or DMX channel
8. DOWN button: Every push on the down button will decrease light intensity or DMX channel. Up and Down buttons are for power increments when a DMX console is disconnected, and for channel control when a DMX console is connected.

## 6. Operating instructions

### 1) Connecting DMX cable

If DMX control is required, plug one end of the DMX dimming cable into the out port of the DMX console (users own equipment) and the other end to the DMX in port on the Light. To connect more than one light, connect another dimming cable to the DMX out port in the light and the other end to the DMX in port for another light in serial. For more than 32 lights, a splitter is needed.

### 2) Security cables

When the lighting unit is mounted in a hanging position or on a light stand, it must be secured with a safety cable.

### 3) Turning the Power On/Off

Turn on the lighting unit by switching on the power button. The light settings always remain stored when it is powered off.

### 4) DIMMER Light intensity variation

Light intensity can be easily increased or reduced, using the UP / DOWN buttons on the control panel. The digital display indicates the selected dimmer value from a minimum of 0 to a maximum of 100. Push the UP button to increase light intensity or push the DOWN button to decrease it.

### 5) DMX 512 CONTROL

1000S is designed for full DMX control from the 5-pin DMX port, located on the control panel. Connect the DMX cable coming from your console, into the DMX IN connector located at the back. Next to the DMX IN there is also a DMX OUT connector to daisy-chain fixtures.

#### Address channels

To address channels, just push the UP or DOWN buttons to increase or decrease the channel. The chosen channel number will be displayed at the window for 10 sec and then disappear automatically. To recheck the channel number, press either up or down button and to readdress it, press up or down button until the wanted figure appears.

### 6) Bracket for tilting

3/8" or 6/8" stud is included in the broadcast version unit according to the user's choice. The bracket allows the user to tilt the unit, but not to pan.