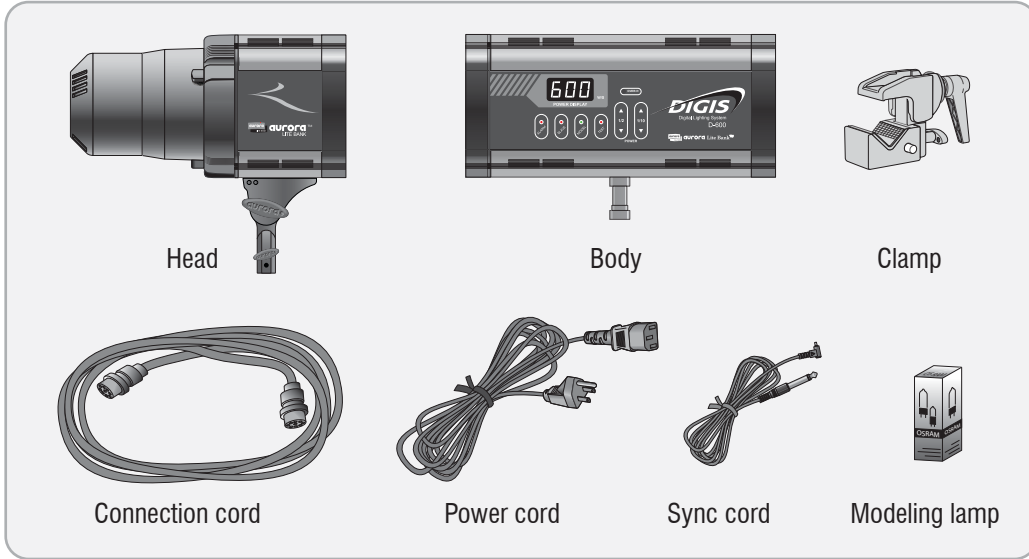




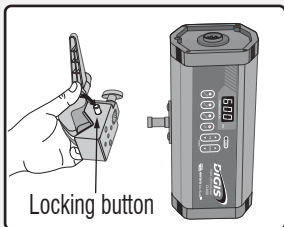
DBL-400 / DBL-600 / DBL-800

## 1. Parts

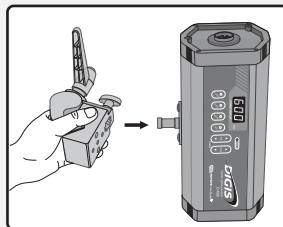


## 2. Set up

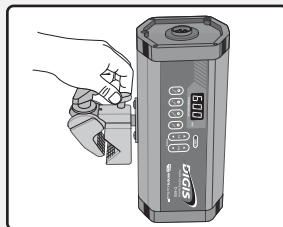
### A. Attach clamp to body



Place a body on the flat surface and hold a clamp and press a locking button

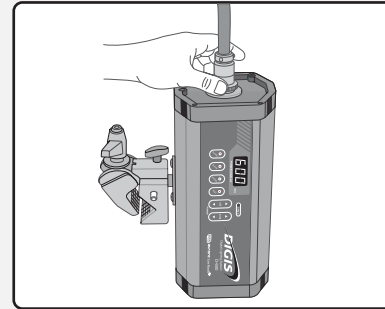


Insert clamp to spigot on the body while pressing a locking button

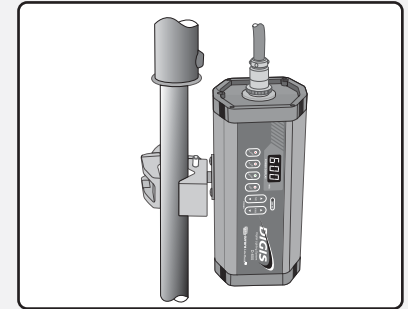


Screw a bolt on top of the clamp

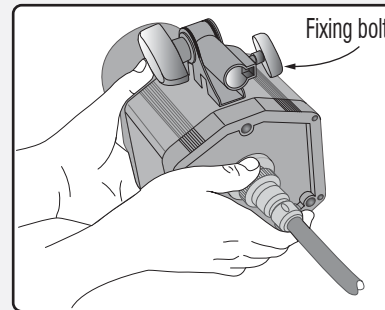
### B. Insert one end of connection cable to body



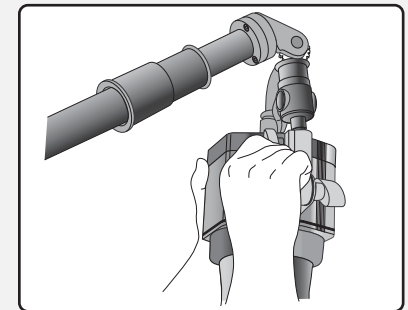
### C. Attach the body to a boom stand using clamp



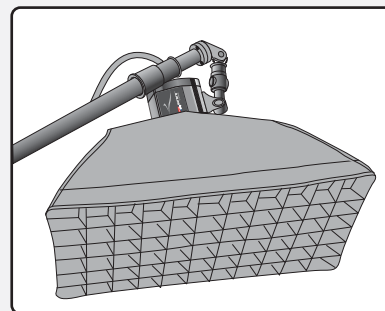
### D. Connect the other end of cable to head



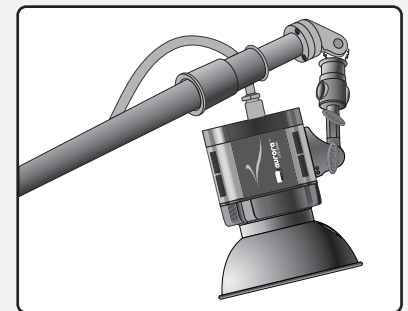
### E. Fix the head to a boom arm using fixing bolt



### F. Use accessories as per your preference



softbox with honeycomb grids



reflector